

# 110/316P-Series

## PUSHBUTTON SWITCHES

The 110/316P-Series provides a compact yet rugged solution to general purpose switch needs. Alternate action, metal construction and stiff (6-8 lb) actuation force have combined to make this switch a pillar in a variety of markets. This versatile switch is available in maintained and momentary circuits with a variety of termination and rating options.



### Product Highlights:

- Ratings to 5A 250V, 10A 125V AC or DC
- Maintained or momentary circuitry
- On-Off, On-On and 2 circuit function options
- Choice of 4 different termination options

### Typical Applications:

- Music Industry
- Audio/Visual
- Electronic Road Signs



### Dielectric Strength

UL/CSA: 1000V - live to dead metal parts & opposite polarity

### Electrical Life

25,000 cycles

### Operating Temperature

32°F to 185°F (0°C to 85°C)

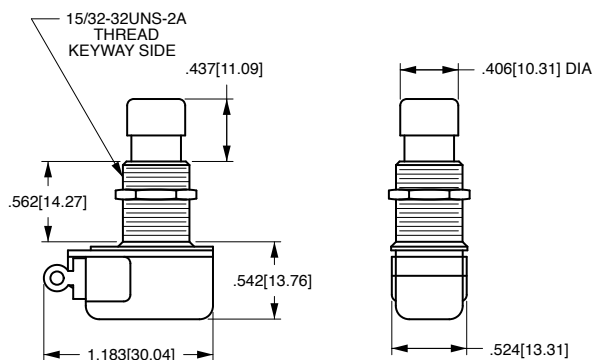
# 110-P

<sup>1</sup>  
Part Number

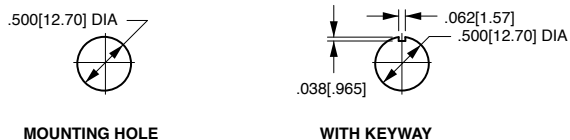
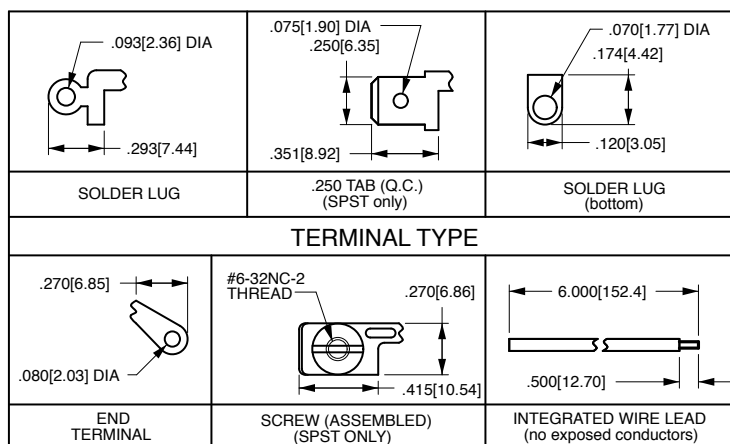
#### 1 PART NUMBER: SERIES / ACTUATOR / CIRCUITRY / RATING / TERMINATION

	solder lug (end)	solder lug (bottom)	screw terminals	wire leads
<b>Single Pole</b>				
<b>3A 250V, 6A 125V</b>				
OFF-ON	<b>110-P</b>	<b>110-BP</b>	<b>110-SP</b>	<b>111-16-P</b>
OFF-(ON)	<b>110-PM-OFF</b>	<b>110-PBM-OFF</b>	<b>110-SPM-OFF</b>	<b>111-PM-OFF</b>
ON-(OFF)	<b>110-PM-ON</b>	<b>110-PBM-ON</b>	<b>110-SPM-ON</b>	<b>111-PM-ON</b>
<b>5A 250V, 10A 125V, 1/4 HP 125V</b>				
OFF-ON	<b>160H-P</b>	<b>160H-BP</b>	<b>160H-SP</b>	<b>160H-AP</b>
<b>1A 250V, 3A 125V</b>				
ON-ON	<b>112-P</b>	-	-	<b>112-PA</b>
ON-(ON)	<b>112-PM</b>	-	-	<b>112-PAM</b>
<b>Double Pole</b>				
<b>1A 250V, 3A 125V</b>				
OFF-ON	<b>216-PP</b>	-	-	<b>216-PPA</b>
OFF-(ON)	<b>216-PM-OFF</b>	-	-	<b>216-PAM-OFF</b>
ON-(OFF)	<b>216-PM-ON</b>	-	-	<b>216-PAM-ON</b>
ON-ON	<b>316-PP</b>	<b>316-B-PP</b>	-	<b>316-PPA</b>
ON-(ON)	<b>316-PM</b>	<b>316-B-PM</b>	-	<b>316-PAM</b>
1 ON - 1 OFF (2 circuit)	<b>516-PP</b>	-	-	<b>516-PPA</b>
1 (ON) - 1 (OFF) (2 circuit)	<b>516-PM</b>	-	-	<b>516-PAM</b>

Notes:  
( ) Indicates momentary function.



NOTE:  
KEYWAY  
.072[1.82] X .038[.965] DP



\*Manufacturer reserves the right to change product specification without prior notice.